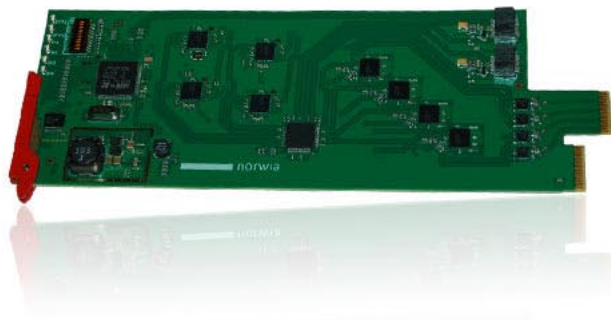


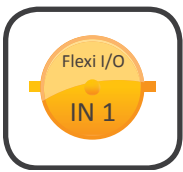
Optical/Electrical distribution card
for the MiniHUB™ System with
Technical specification
OC-4B-SDI



“one card is all you need”

The facts

The OC-4B-SDI is a next generation optical based distribution card that can perform many functions on a single card. This card gives the user many different scenarios that can be automatically accessed simply by plugging in an SFP and flicking a DIP switch. It's so easy!



Flexi I/OTM is the next generation technology that brings flexibility to the user. Whenever you see this icon you will know that this BNC can act as either a Input or Output depending on the determined configuration. This give better use of BNC resources and give the OC-4B-SDI its Chameleon like features.



SFP based designs were used to give the product user changeable modules. These can be changed on the fly to give combinations of RX/RX, RX/TX, TX/TX or Single channel functionality, or you can further upgrade to CWDM technology to give greater fiber density. The choice is yours!

Once you change to a different SFP, the card will auto configure the Flexi I/O to its pre-determined configuration. That's smart!



3G-SDI has been chosen as the standard format because of its backwards compatibility with all SDI formats. In todays economics it better to be prepared for the future while keeping your infrastructure ready as the investment cost of 3Gbps is very close to that of 1.5Gbps.

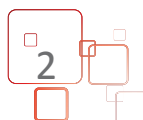


Priced aggressively from the start, but gives greater return on investment than normal due to its versatility and flexibility of use in multiple scenarios or its upgradability to CWDM when your business grows.



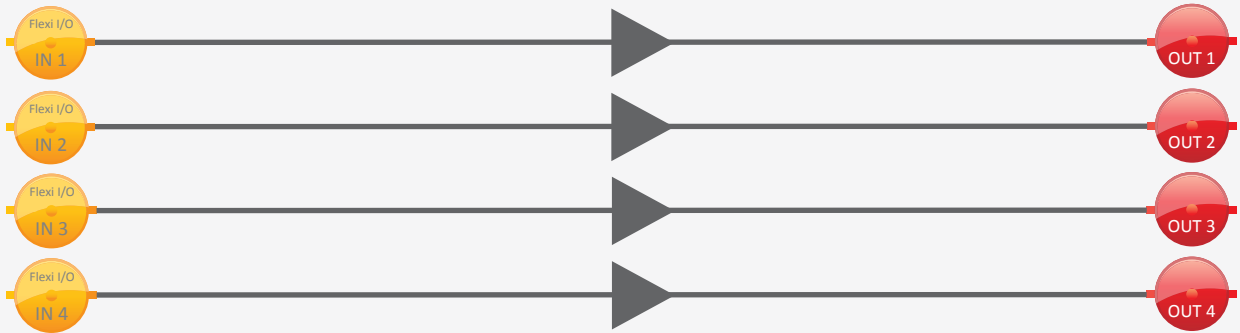
Latest Technology is used to provide the user the best of breed products with innovative ideas. Why settle on old product when you can afford the newest at a great price.

As we like to say, giving value

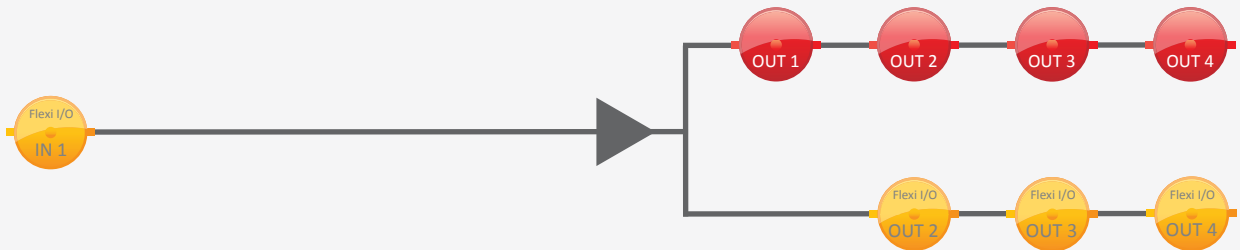


DA/Refresh

3G-SDI coax refresh >100 Meter x 4



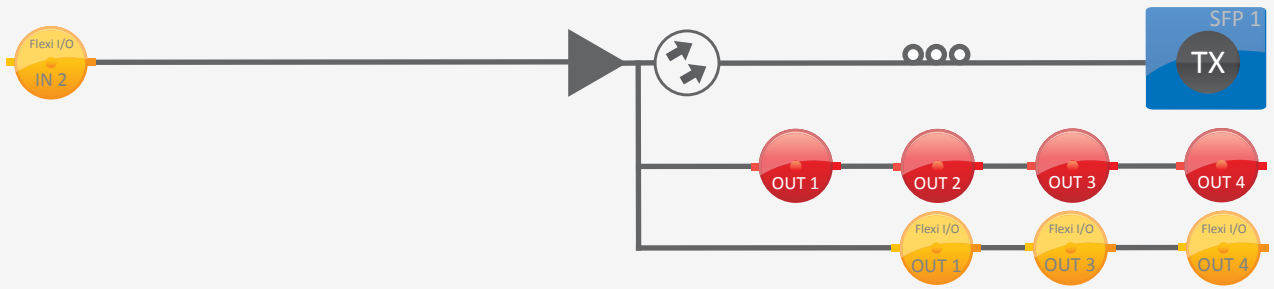
Distribution amplifier 1 to 7



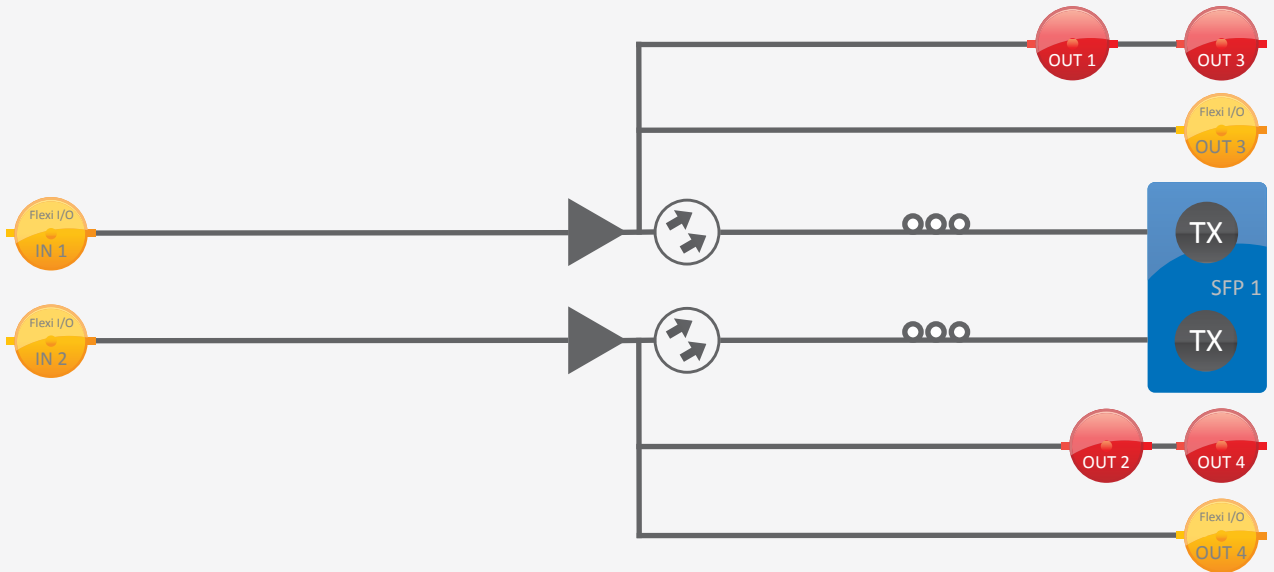
Upgradable in seconds

Transmit

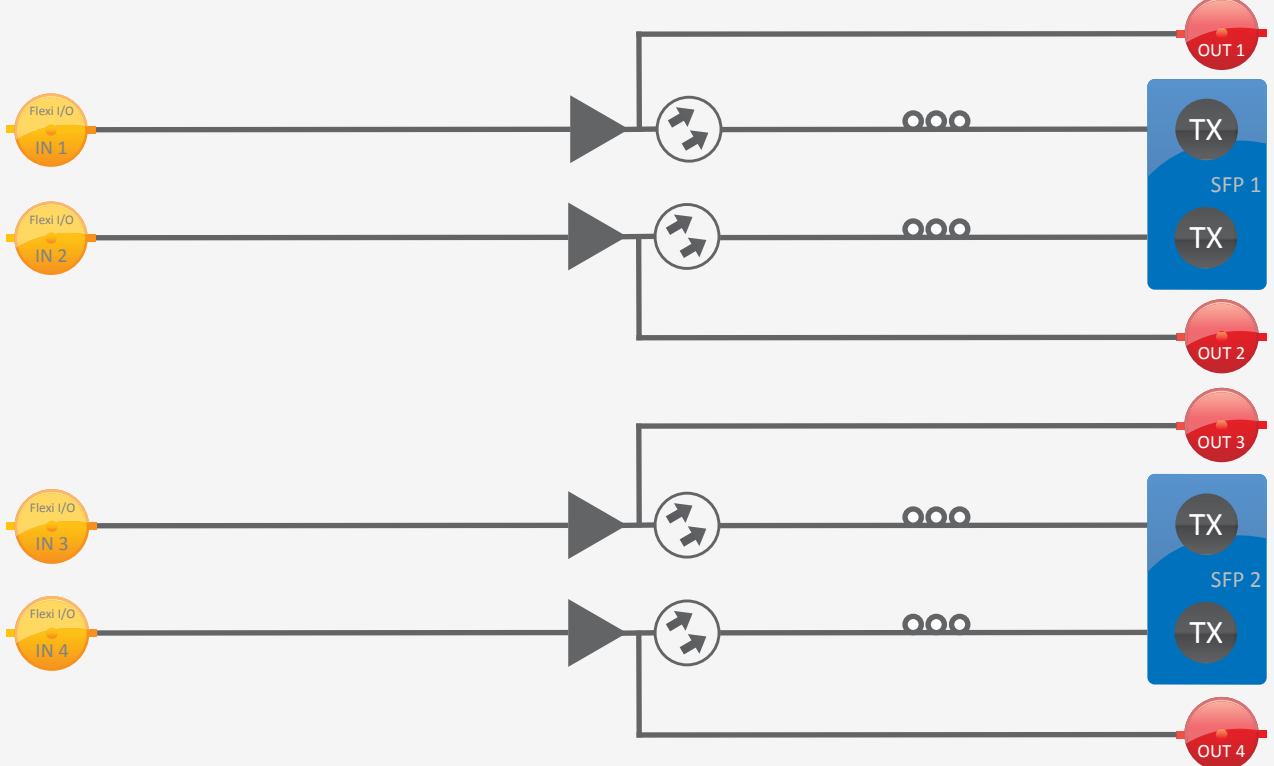
1 x Single TX SFP with 7 outputs



1 x Dual TX SFP

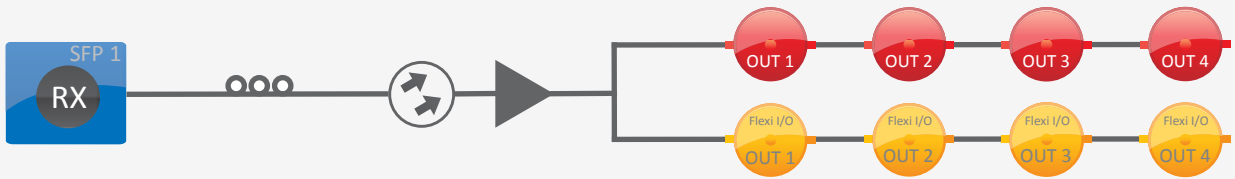


2 x Dual TX SFP

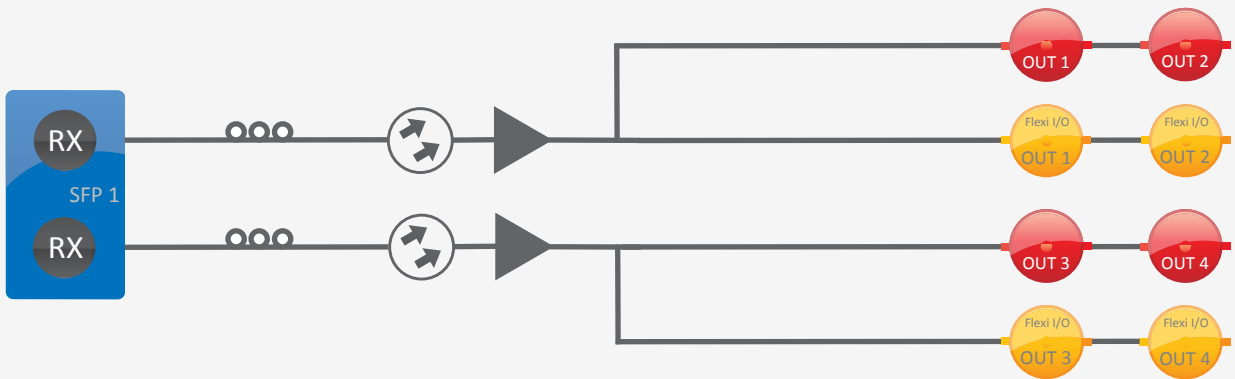


Receive

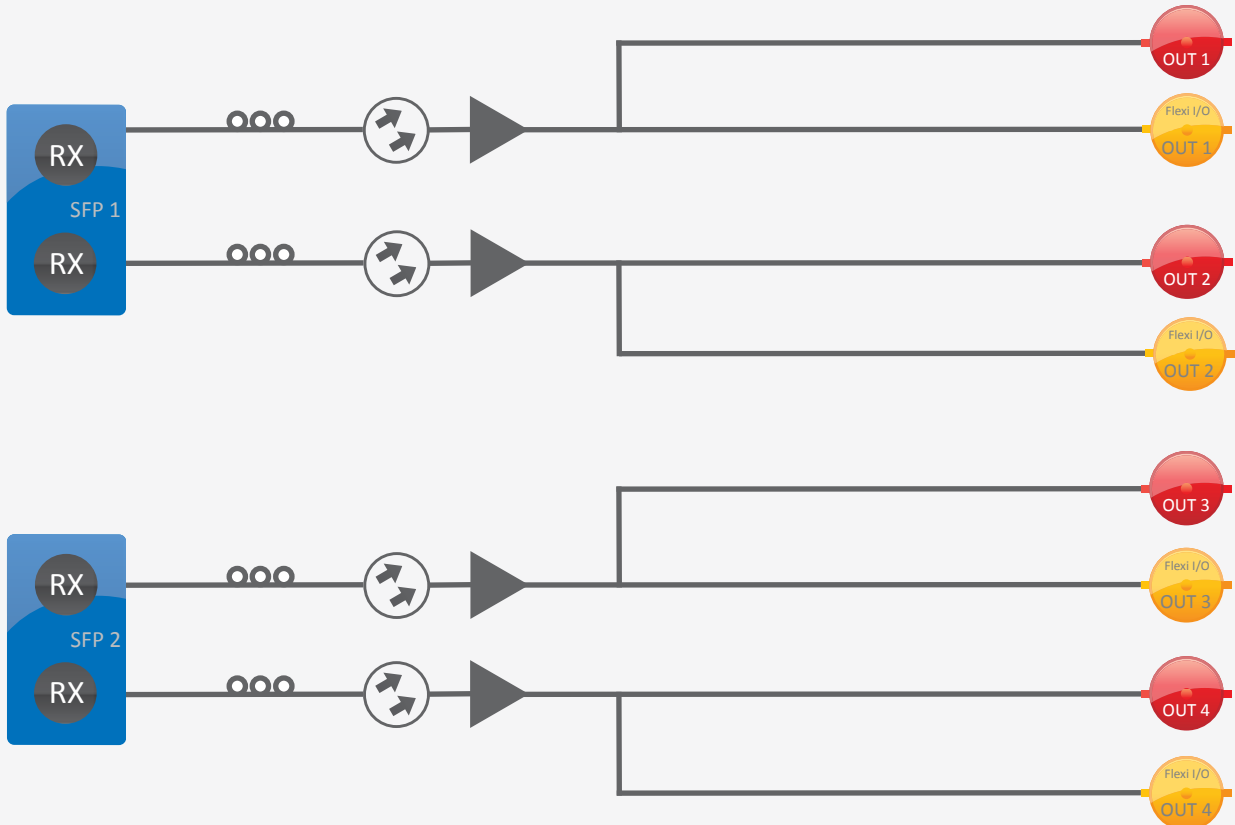
1 x Single RX SFP with 8 outputs



1 x Dual RX SFP with quad outputs

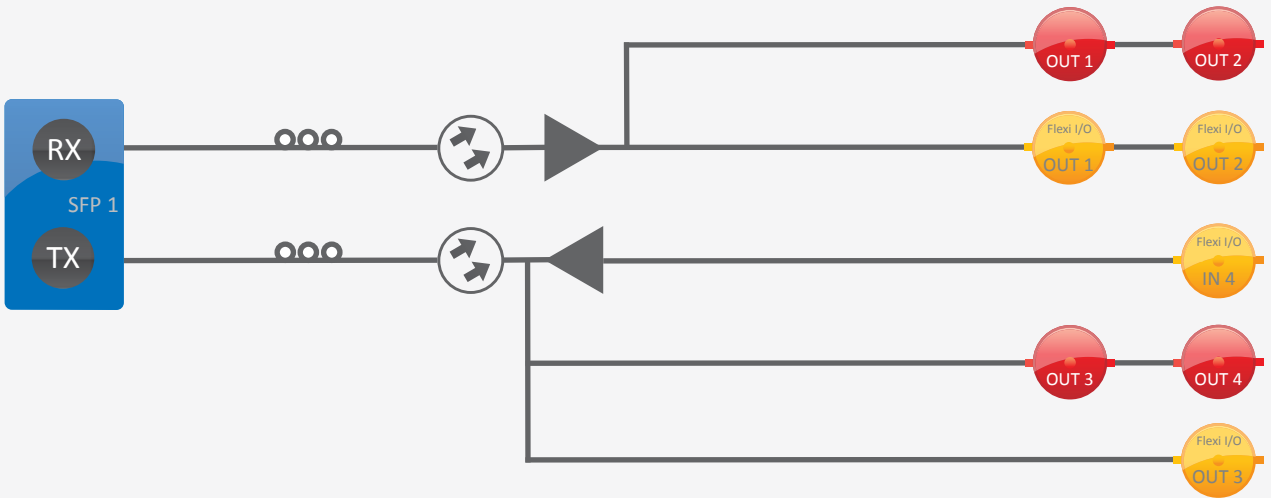


2 x Dual RX SFP with dual outputs

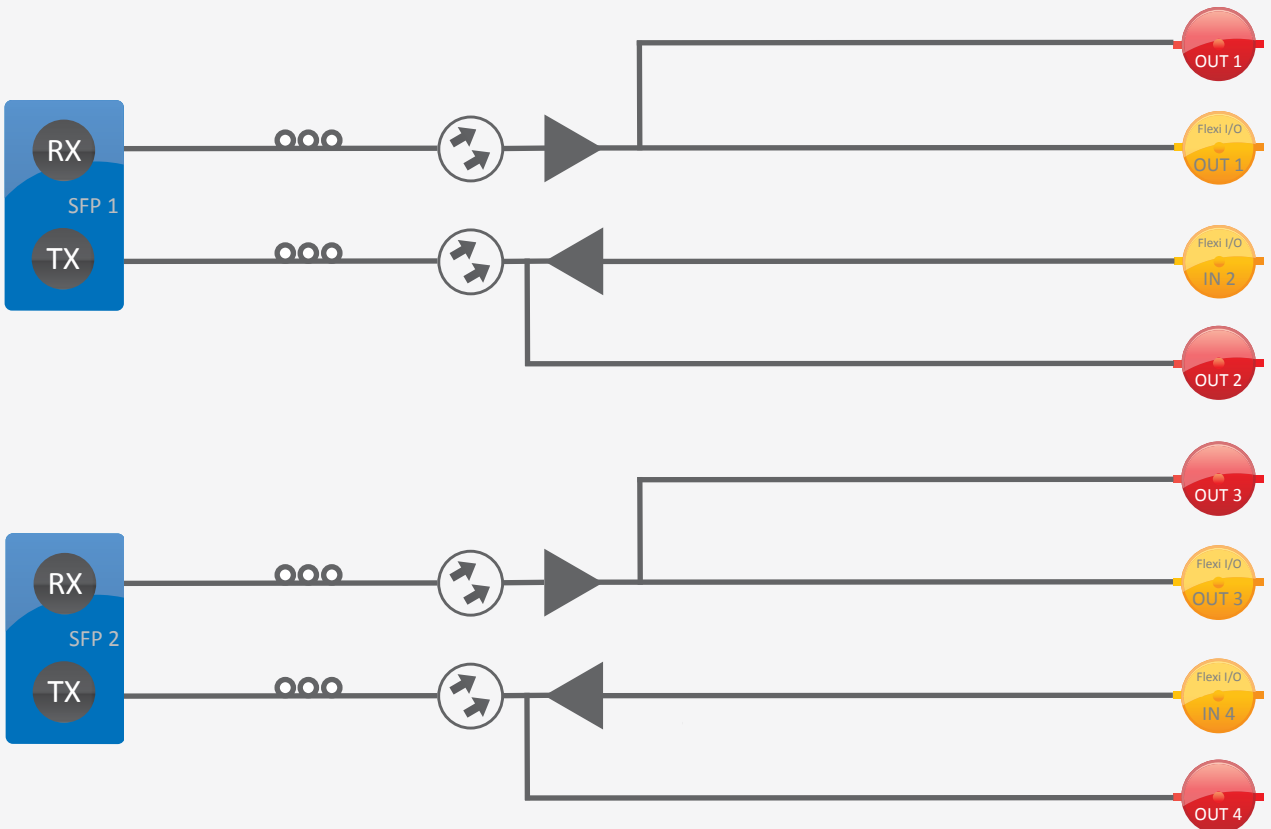


Transceiver

1 x Transceivers SFP



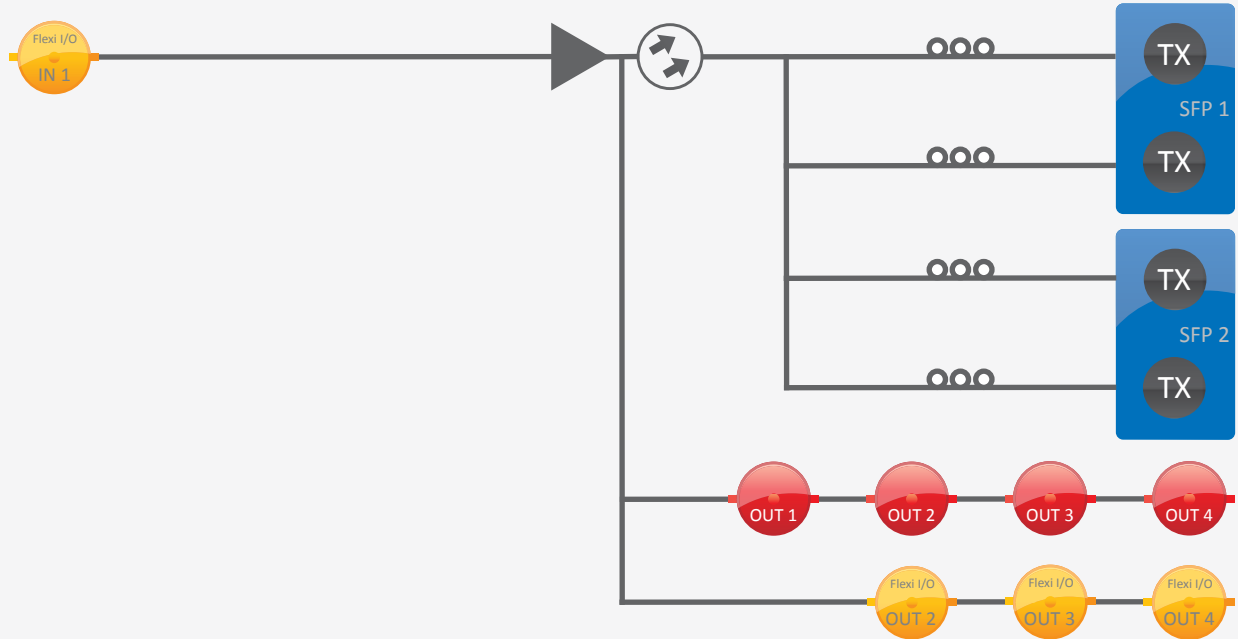
2 x Transceivers SFP



One card for all your solutions

Optical distribution

Optical distribution including distribution amplifier



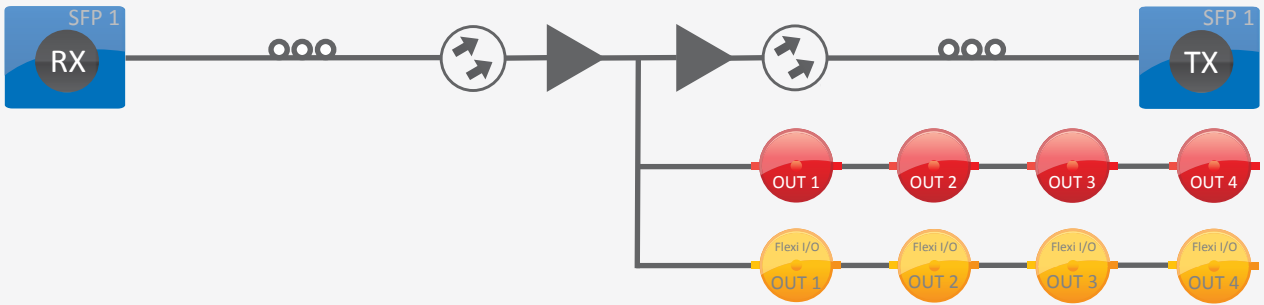
Flexi I/O™ technology gives you flexibility and choice



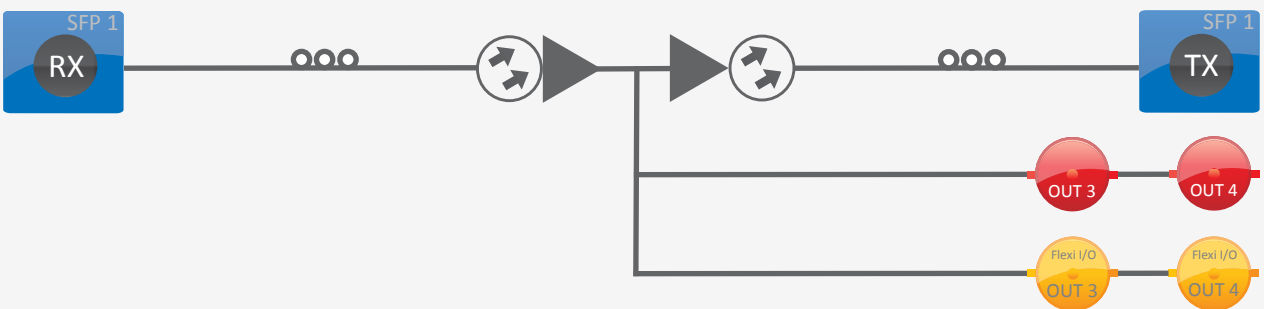
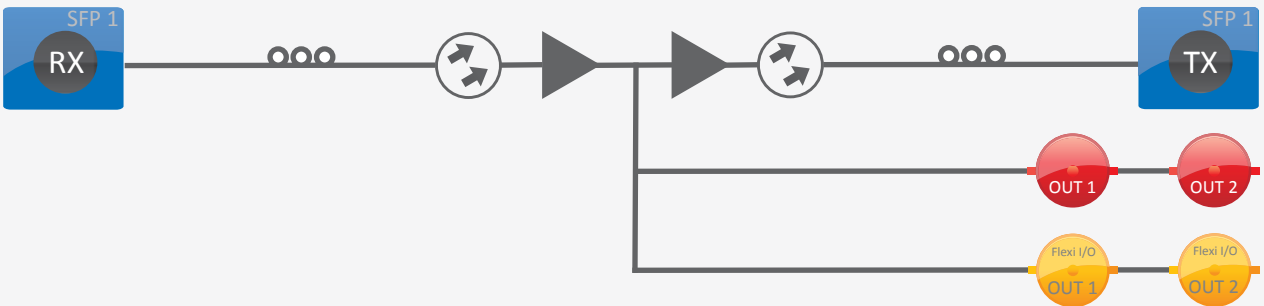
norwia.no

Transponder

1 x Transceiver SFP with Optical convertor and 8 x DA outputs



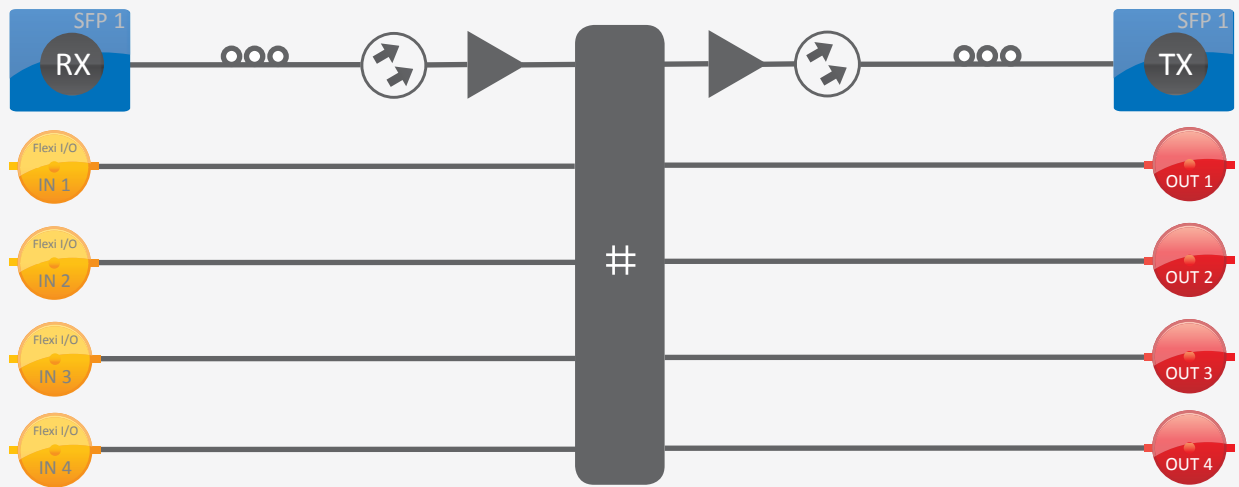
2 x Transceiver SFP with Optical convertor, each with 4 x DA output



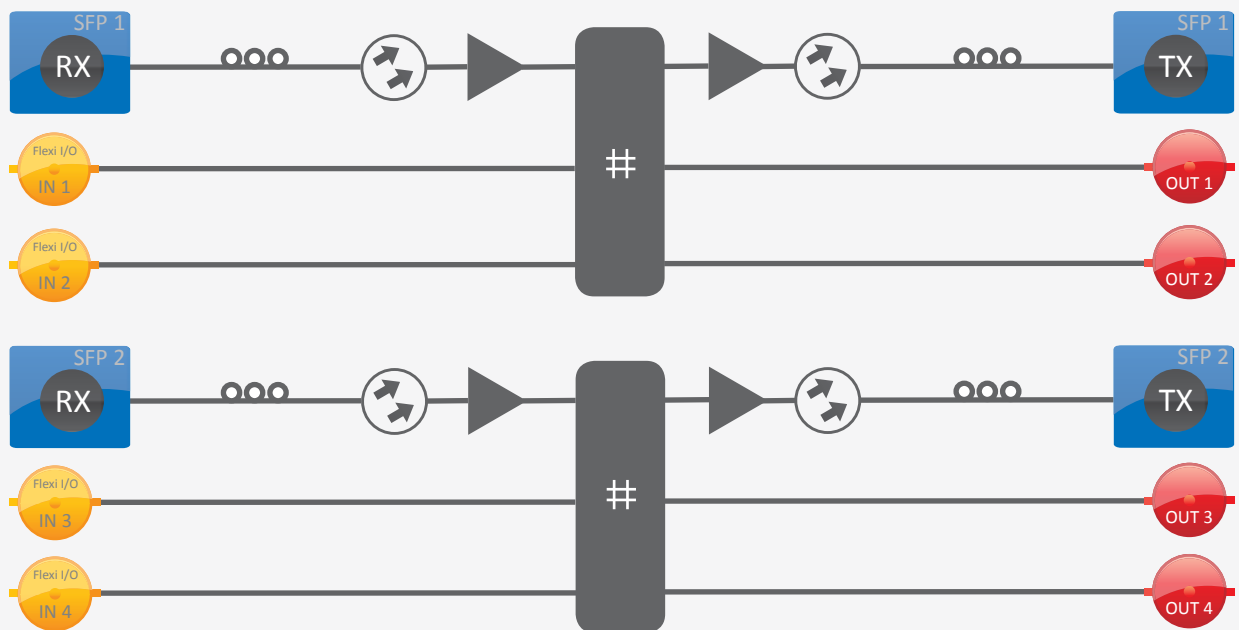
Auto SFP configuration for peace of mind

Add/Drop/Pass

Single channel A/D/P *



Dual channel A/D/P *



* using RCONmini

Flexibility beyond your imagination



OC-4B-SDI Technical specifications

The OC-4B-SDI is the most flexible Optical video distribution product on the market today.

The OC-4B-SDI is a 1 card solution for all your Optical video distribution needs. This include Optical video links, Optical signal distribution and Add/Drop/Pass Optical video distribution.

It has the capacity for 4 channels that can be built up as the customer needs greater capacity. OC-4B-SDI has high quality specification with innovative features such as Flexi I/O™ technology and Auto SFP configuration.



Optical ports

Number of ports:	Up to 4 (2 per SFP)
Direction:	Depends on SFP, See Optical and SFP guide
Optical performance:	See Optical and SFP guide
Connector type:	LC/PC according to SMPTE-297M-2006
Fiber Type:	Single mode 9/125um
Maximum reflected power:	14dB
Connector return loss:	≥26 dB
Transmitter light source:	F-P and DFB lasers with WDM and CWDM options. See Optical and SFP guide
Receiver detector:	Medium or high sensitivity. See Optical and SFP guide
CWDM channel grid:	20nm

Electrical inputs

Number of inputs:	4 Flexi I/O™
Data rate:	19.4 Mbps - 2970 Mbps
Cable equalization:	Up to 100m of Belden 1694A @ 2.97Gbps Up to 150m of Belden 1694A @1.485Gbps Up to 300m of Belden 1694A @270Mbps *
Connector type:	BNC
Impedance:	75 ohms
Signal level:	800mV p-p nominal
Return loss:	≥15 dB [5-1485 MHz], ≥10dB [1485-2970MHz]

* for mixed signal environments, recommended cable length on 270Mbps should follow HD standard.

Electrical outputs

Number of outputs:	4 (8 including Flexi I/O™)
Signal polarity:	All outputs non-inverting
Connector type:	BNC
Impedance:	75 ohm
Signal level:	800mV p-p ±10%
Return loss:	≥15 dB [5-1485 MHz], ≥10dB [1485-2970MHz]
Reclocking:	270Mbps, 1.483/1.485Gbps, 2.966/2.970Gbps, Auto-matic bypass for other rates
Alignment jitter:	≤ 0.2UI
Timing jitter:	≤ 1.0UI, ≤ 0.2UI @ 270Mbps

General

Operating voltage:	+12Vdc to +24Vdc/ 10W max
Working Temperature:	0 to +45°C
Card weight:	70 grams (OC-4B-SDI)
Rear connector weight:	65 grams (OC-4B-SDI-B1)

Supported standards

SMPTE:	292M-2008, 259M-2008, 297M-2006, 305M-2005, 310M-2004, 424M-2006
DVB-ASI:	EN50083-9
ITU: SFP-MSA	ITU-T G.694.2 for CWDM applications SFF-8074i, SFF-8472 (DDMI)

Control interface

Control	AUTO SFP configuration with RCONmini for remote status and setup. See RCONmini user manual
---------	--

LED indication

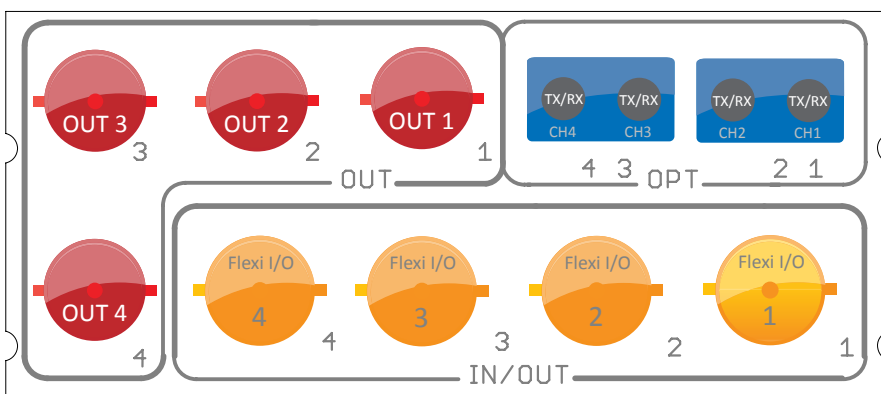
Front mounted leds to indicate SFP type, and confirmation of input presence and reclocker locked.

DIP Switch

DIP switch selection for Distribution or Link mode

OC-4B-SDI back panel

Model No:	OC-4B-SDI-B1
SFP slots	2
SFP type	Norwia approved only, see Optical and SFP guide
BNC (Standard O/P)	4 x 75 ohm output
BNC (Flexi-IO)	4 x 75 ohm (input or output)



Norwia is a fresh breath of air and unlike all other predecessors will bring innovation and cutting edge thinking to the broadcast optical distribution domain.

Competitive technology edge

Key industry personnel with the right stuff!

Better business philosophies

Customer centric ideologies

These are our core fundamental and together this forms the value statement, giving value!



Vision statement

Norwia will be the best for Optical Distribution products in the sense of technical innovation, value for investment and customer relations.

... giving value

OM Systems Trading
5220 S University Dr #204-C
Davies, FL 33328, USA

p. 954 835 5182
f. 954 337 0126
e. info@omsystemstrading.com
w. www.omsystemstrading.com